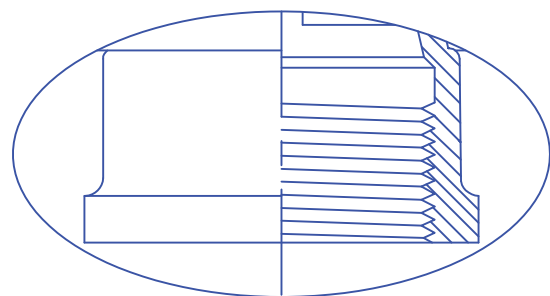
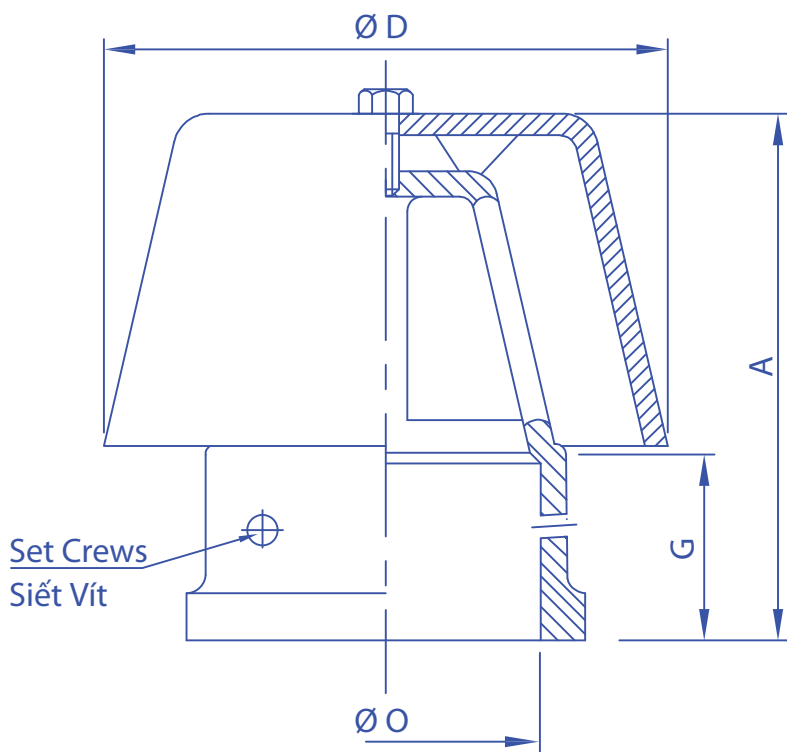


Materials: Cast Iron for Body, SUS304 / Cast Iron for Cover

Vật liệu: Thân Gang, mặt Inox SUS304 / Gang



Option: Internal Thread
Lựa chọn: Lỗ thoát ren trong

MODEL V11

AIR VENTCAP

Pipe Size Kích thước ống	O	A	D	G
(In)	(mm)	(mm)	(mm)	(mm)
DN40 1 1/2	48	110	143	50
DN50 2	60	110	143	50
DN65 2 1/2	76	200	205	68
DN80 3	90	200	205	68
DN100 4	110	200	205	68
DN125 5	140	280	275	86
DN150 6	160	280	275	86
DN200 8	200	300	375	86
DN250 10	250	300	375	86